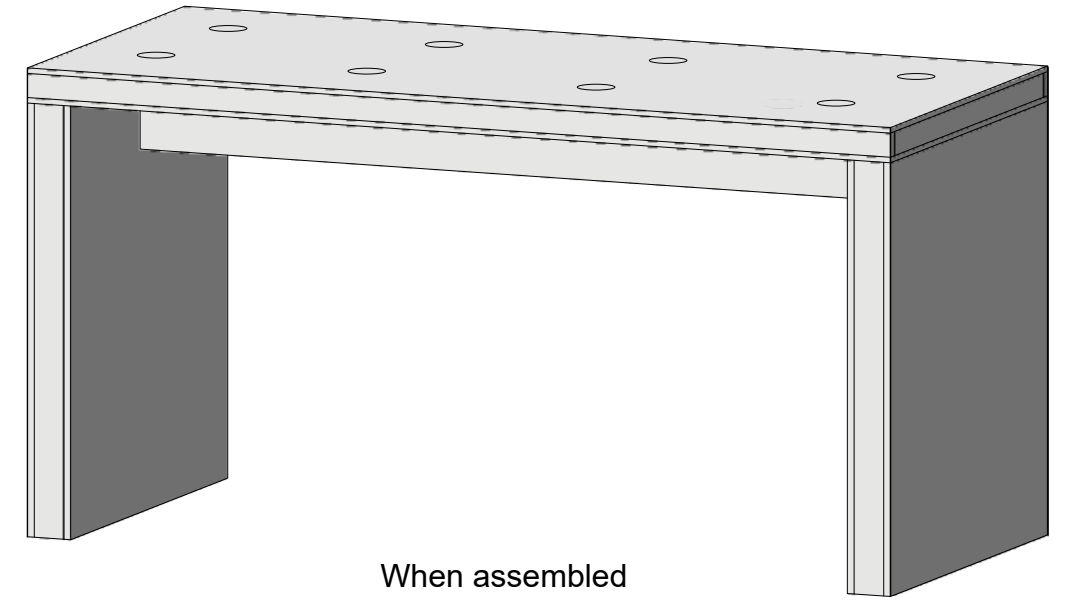


Item	Qty.	Description
A	1	95"w x 30"d Table Top
B	1	30"w x 35"h Table Leg
C	1	30"w x 35"h Table Leg
D	1	87"w Horizontal Support Beam

- Steps:
- 1) Attach support beam [D] to Table Legs [B,C] using roto cam locks, as shown.
 - 2) Route cord from table top through leg.
 - 3) Attach Table Top [A] to Table Legs [B,C] using roto cam locks.
- See **Roto Cam Lock Connection** detail.



*** Roto Cam Lock Connection**

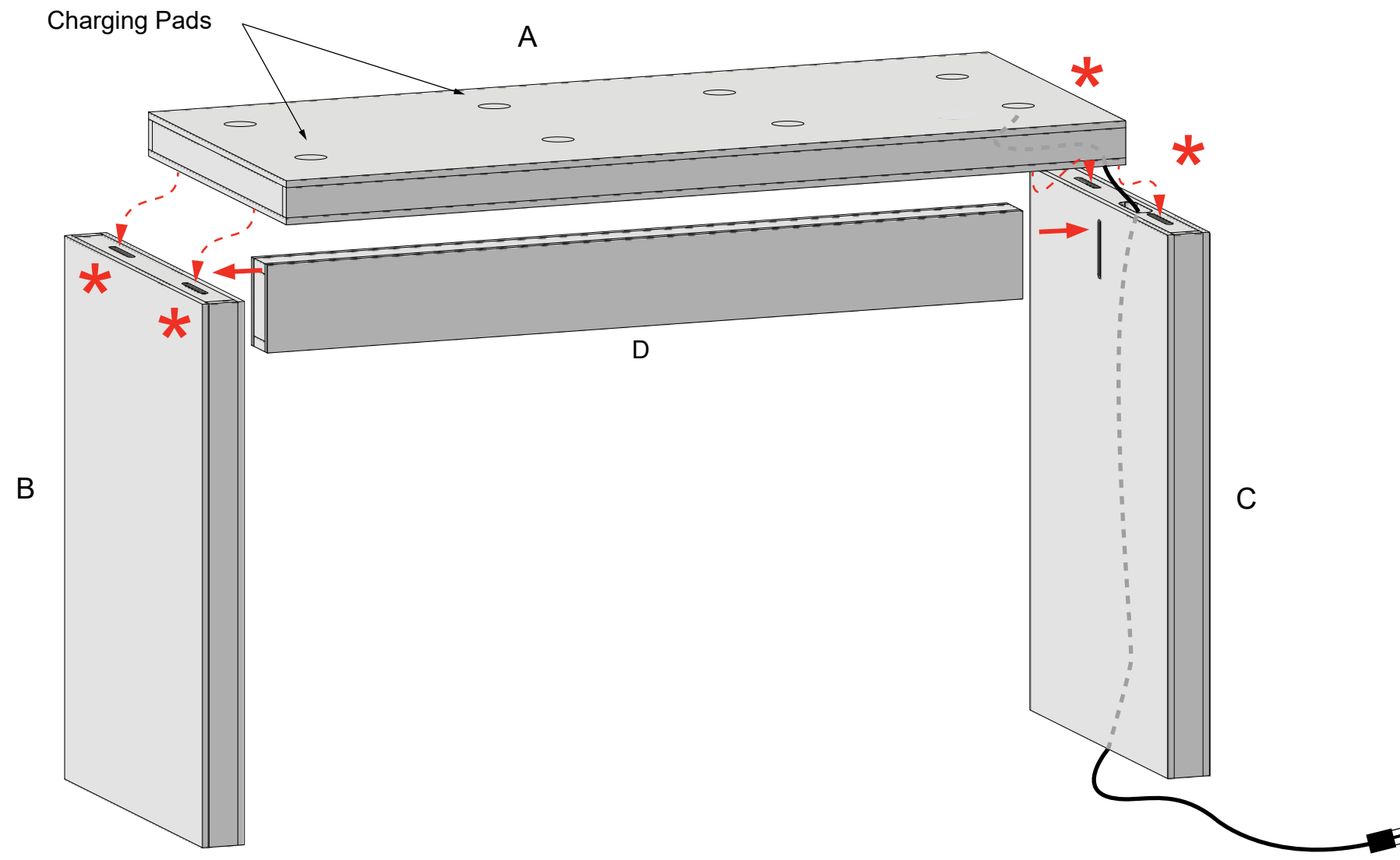
Step 1

Hex Key Tool
Hole

Step 2

Hex Key Tool
Lock

Place hex tool in hole on side of panel. Rotate to activate lock & secure panels together.



SETUP INSTRUCTIONS

General Setup Instructions

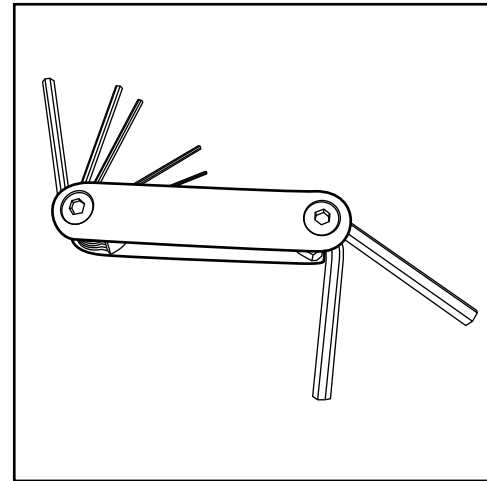
- Read entire setup instruction manual prior to unpacking parts and pieces.
- The setup instructions are created specifically for this configuration.
- Setup instructions are laid out sequentially in steps, including exploded views with detailed explanation for assembly.

Cleaning & Packing

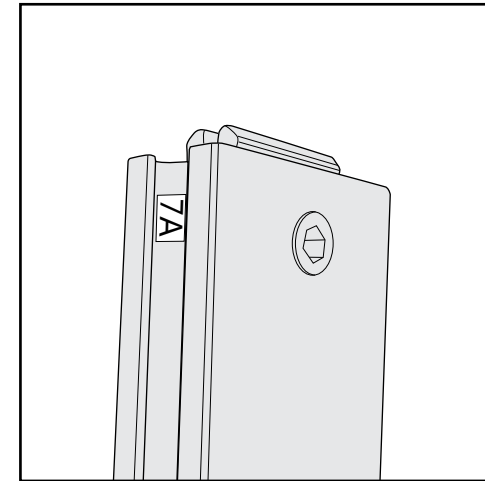
- For Cleaning Metal, Plex, & Laminate Parts: Use a **MILD NON-ABRASIVE** cleanser and soft cloth/paper towel to clean all surfaces.
- Keep exhibit components away from heat and prolonged sun exposure.
Heat and UV exposure will warp and fade components.
- Retain all provided Packing Materials. All provided packing materials are for ease of repacking & component protection.

Disassembly

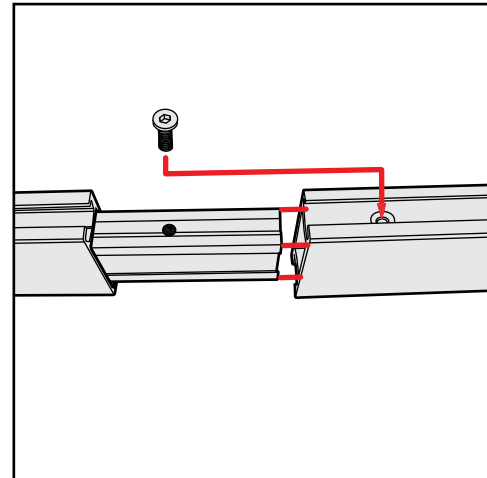
- For loss prevention, tighten all set screws and locks during disassembly.



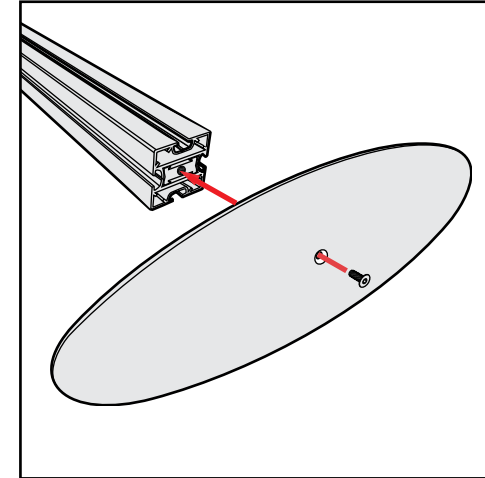
Hex Tool - Essential for Assembly



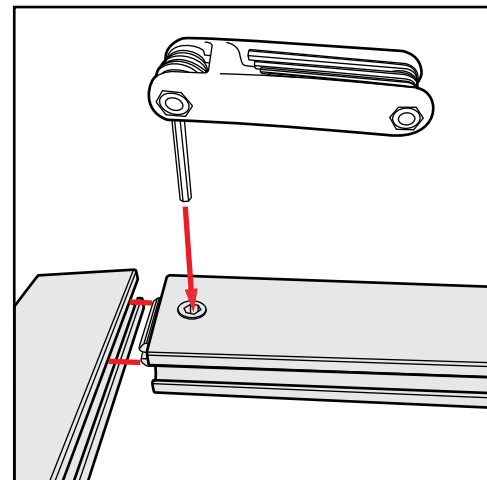
Part Identification - Numbering



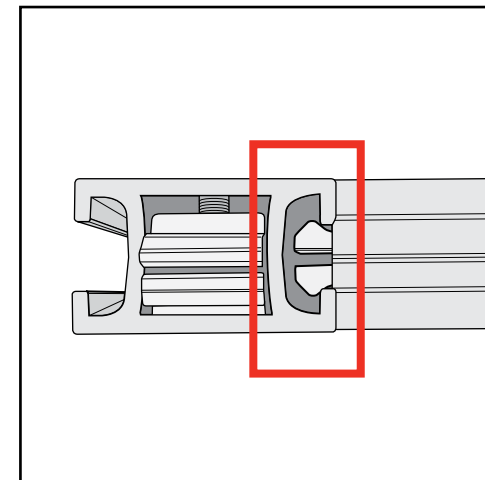
Spline Connection



Base Plate & Extrusion Connection



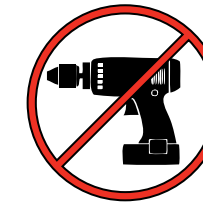
Extrusion & Lock Connection



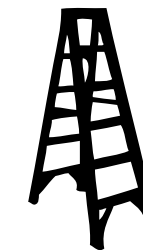
Engaged Lock



WARNING



DO NOT USE POWER TOOLS



LADDERS OR LIFTS
MAY BE REQUIRED



ALL CONNECTIONS MUST
BE TIGHTLY SECURED

